

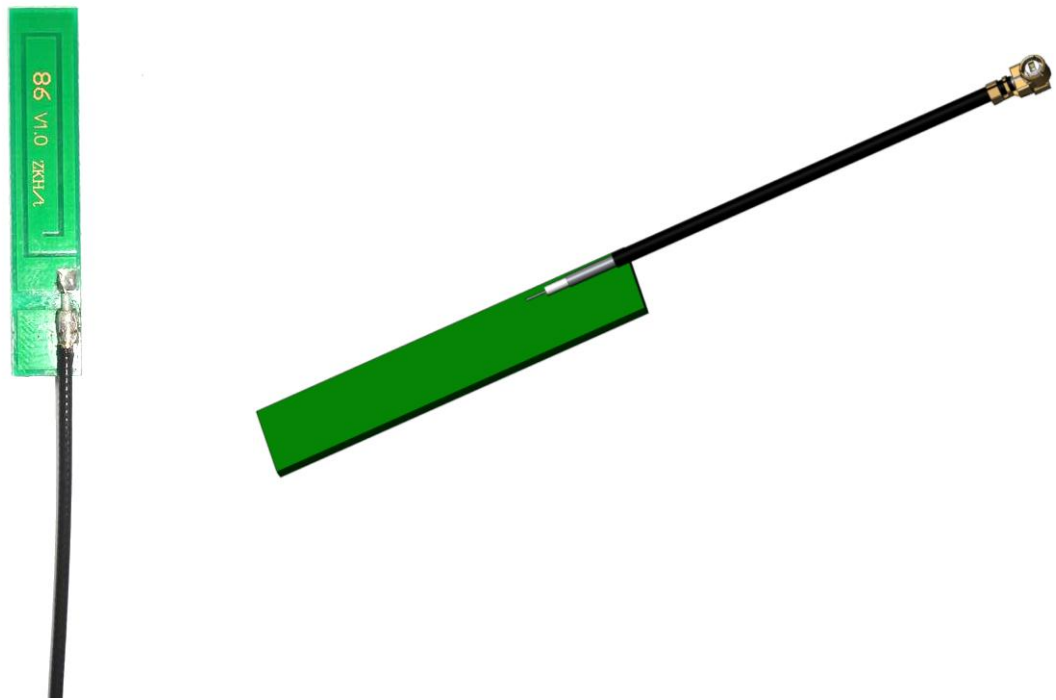


TOP ELECTRONIC INDUSTRY CO., LTD.

[www.topecind.com](http://www.topecind.com) [www.top-elecomponents.com](http://www.top-elecomponents.com)

---

## GSM Internal Antenna **TOP-GSM08-1**



TOP ELECTRONIC INDUSTRY CO.,LTD

Rm407 27th Bldg,Nanhua Zone,Huaqiangnan,Futian Dist,SZ,GD,China

Tel:+86-755-8281 5110

Fax:+86-755-8281 5220

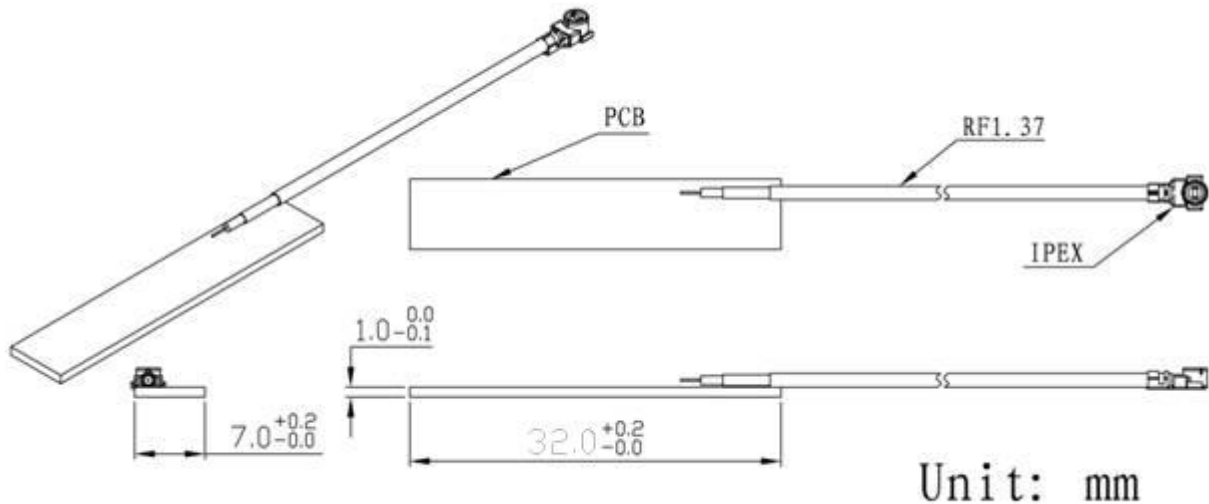
Web: [www.topecind.com](http://www.topecind.com)



TOP ELECTRONIC INDUSTRY CO., LTD.

[www.topecind.com](http://www.topecind.com) [www.top-elecomponents.com](http://www.top-elecomponents.com)

## DIMENSIONS



## SPECIFICATIONS

Item	Specifications	
Antenna	Frequency Range	824~960 1710~2170MHz
	Polarization	Linear
	Gain	0dBi
	V.S.W.R	<2.0
	Impedance	50Ω
	PCB Dimension	37*7*1mm
Mechanical	Cable	RF1.13/RF1.37 or others
	Connector	IPEX
	Mounting Method	Adhesive
Environmental	Operating Temperature	-40°C ~+85°C
	Vibration	10 to 55Hz with 1.5mm amplitude 2hours
	Environmentally Friendly	ROHS Compliant

TOP ELECTRONIC INDUSTRY CO.,LTD

Rm407 27th Bldg,Nanhua Zone,Huaqiangnan,Futian Dist,SZ,GD,China

Tel:+86-755-8281 5110

Fax:+86-755-8281 5220

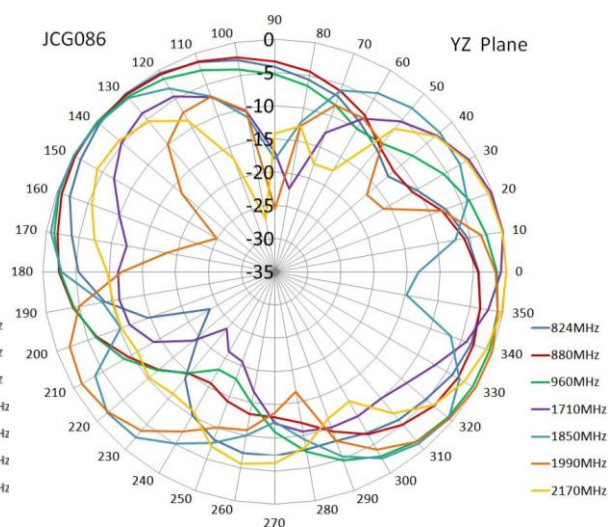
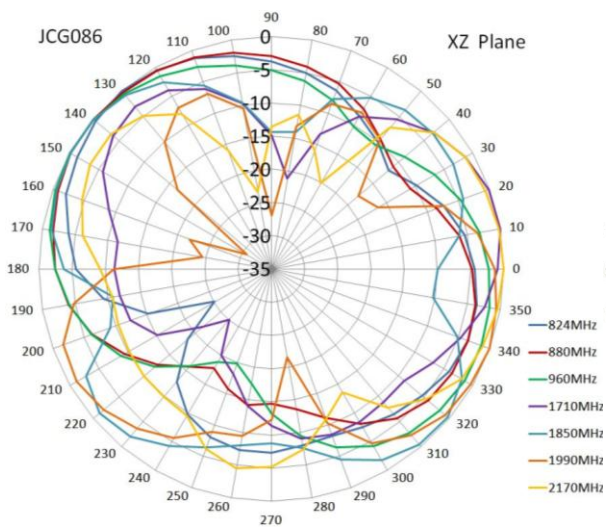
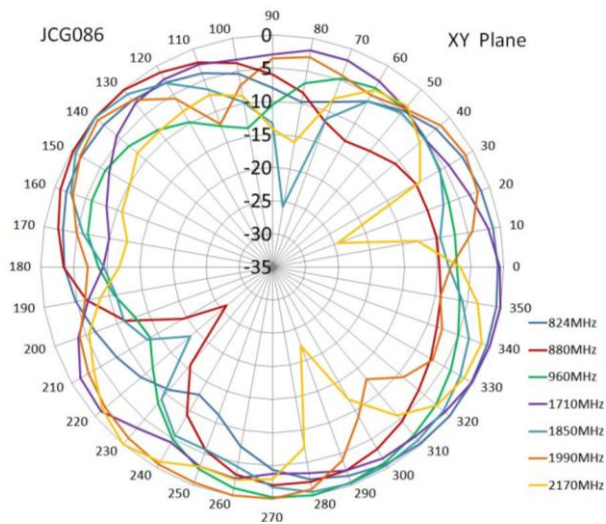
Web: [www.topecind.com](http://www.topecind.com)



TOP ELECTRONIC INDUSTRY CO., LTD.

[www.topecind.com](http://www.topecind.com) [www.top-elecomponents.com](http://www.top-elecomponents.com)

## Radiation Pattern



TOP ELECTRONIC INDUSTRY CO.,LTD

Rm407 27th Bldg,Nanhua Zone,Huaqianganan,Futian Dist,SZ,GD,China

Tel:+86-755-8281 5110

Fax:+86-755-8281 5220

Web: [www.topecind.com](http://www.topecind.com)