



TOP ELECTRONIC INDUSTRY CO., LTD.

www.topecind.com

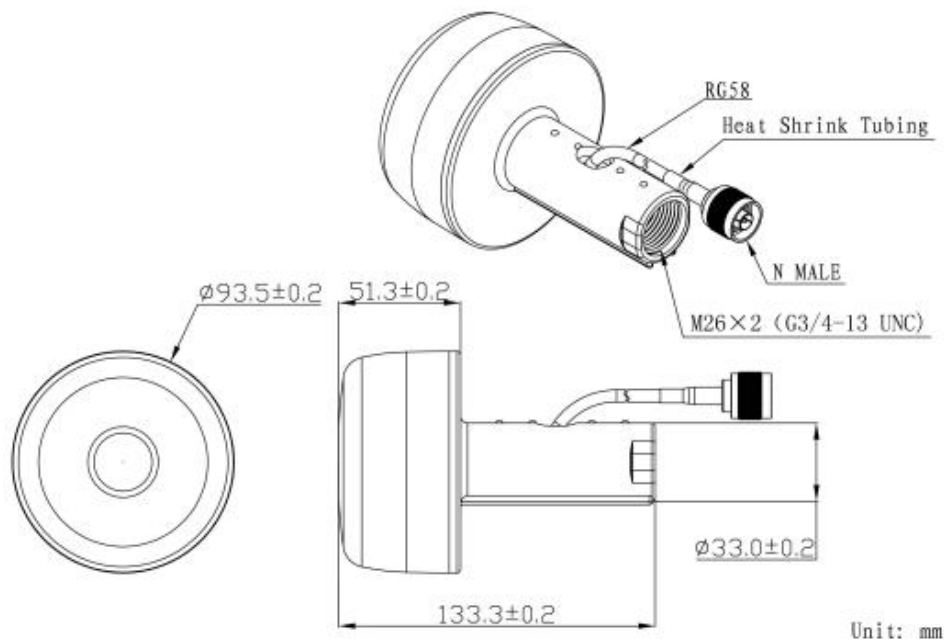
www.top-elecomponents.com

GPS Active Antenna

TOP-GPS05



DIMENSIONS



TOP ELECTRONIC INDUSTRY CO.,LTD

Rm407 27th Bldg,Nanhua Zone,Huaqianganan,Futian Dist,SZ,GD,China

Tel:+86-755-8281 5110

Fax:+86-755-8281 5220

Web: www.topecind.com

www.top-elecomponents.com



TOP ELECTRONIC INDUSTRY CO., LTD.

www.topecind.com

www.top-elecomponents.com

SPECIFICATIONS

Item		Specifications
Antenna	Center Frequency	1575.42±1MHz
	Band Width	CF±5MHz
	Polarization	RHCP
	Gain	5dBic(Zenith)
	V.S.W.R	<1.5
	Impedance	50Ω
LNA	Gain	42±2dB
	Noise Figure	<1.3
	Filter Insertion Loss	<3dB
	Ex-band Attenuation	12dB@CF+50MHz/16dB@CF-50MHz
	Supply Voltage	3~5V DC
	Current Consumption	18~35mA
	V.S.W.R	<2.0
Mechanical	Cable	RG58 or others
	Connector	N or others
	Radome Material	ABS
	Mounting Method	Screw
Environmental	Operating Temperature	-40℃~+85℃
	Relative Humidity	Up to 95%
	Ingress Protection	IP67
	Vibration	10 to 55Hz with 1.5mm amplitude 2hours
	Environmentally Friendly	ROHS Compliant

Radiation Pattern

TOP ELECTRONIC INDUSTRY CO.,LTD

Rm407 27th Bldg,Nanhua Zone,Huaqiangnan,Futian Dist,SZ,GD,China

Tel:+86-755-8281 5110

Fax:+86-755-8281 5220

Web: www.topecind.com

www.top-elecomponents.com